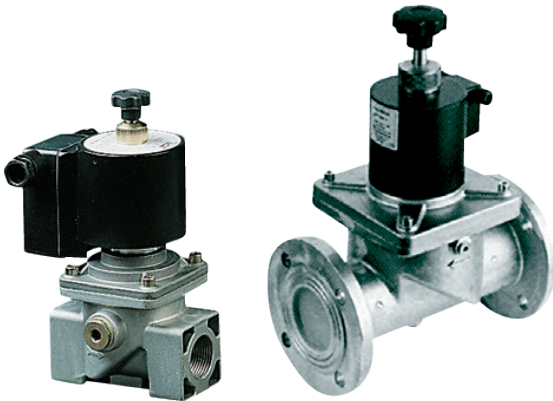


# 600RM / 900RM

aluminium core

## MANUAL LEVER-RELOADING ELECTRO VALVES



All electro valves of the 600RM series (normally open) and 900RM series (normally closed) feature an aluminium core and a manual lever reloading system.

The 600RM series is particularly suitable for home use where, typically, there is no power backup line: In case of black-out or temporary loss of mains power, 600RM electro valves do not cut off the line, thus ensuring a regular supply of gas to the house.

All electro valves are manufactured according to the existing European Standard EN161, where applicable.

All models are compliant with European Directives 89/336 and 73/23.

### Features

- ▲ Wide range of 1/2" and 4" input / output connections
- ▲ Metal grid filter included
- ▲ Maximum working pressure 500 mbar
- ▲ Ideal for air and non-aggressive gas (family 1,2 and 3)
- ▲ Class H coil (180°C)
- ▲ All valves are 100% tested with computer test stations



### AVAILABLE VERSIONS

#### Normally open

BEV-620RM/12	12 Vdc	1/2"	(DN15)
BEV-630RM/12	12 Vdc	3/4"	(DN20)
BEV-640RM/12	12 Vdc	1"	(DN25)
BEV-650RM/12	12 Vdc	1" 1/4	(DN32)
BEV-660RM/12	12 Vdc	1" 1/2	(DN40)
BEV-670RM/12	12 Vdc	2"	(DN50)
BEV-680RMF/12	12 Vdc	2" 1/2	(DN65)
BEV-690RMF/12	12 Vdc	3"	(DN80)
BEV-695RMF/12	12 Vdc	4"	(DN100)
BEV-620RM/24	24 Vdc	1/2"	(DN15)
BEV-630RM/24	24 Vdc	3/4"	(DN20)
BEV-640RM/24	24 Vdc	1"	(DN25)
BEV-650RM/24	24 Vdc	1" 1/4	(DN32)
BEV-660RM/24	24 Vdc	1" 1/2	(DN40)
BEV-670RM/24	24 Vdc	2"	(DN50)
BEV-680RMF/24	24 Vdc	2" 1/2	(DN65)
BEV-690RMF/24	24 Vdc	3"	(DN80)
BEV-695RMF/24	24 Vdc	4"	(DN100)
BEV-620RM	230 Vac	1/2"	(DN15)
BEV-630RM	230 Vac	3/4"	(DN20)
BEV-640RM	230 Vac	1"	(DN25)
BEV-650RM	230 Vac	1" 1/4	(DN32)
BEV-660RM	230 Vac	1" 1/2	(DN40)
BEV-670RM	230 Vac	2"	(DN50)
BEV-680RMF	230 Vac	2" 1/2	(DN65)
BEV-690RMF	230 Vac	3"	(DN80)
BEV-695RMF	230 Vac	4"	(DN100)

#### Normally closed

BEV-920RM/12	12 Vdc	1/2"	(DN15)
BEV-930RM/12	12 Vdc	3/4"	(DN20)
BEV-940RM/12	12 Vdc	1"	(DN25)
BEV-950RM/12	12 Vdc	1" 1/4	(DN32)
BEV-960RM/12	12 Vdc	1" 1/2	(DN40)
BEV-970RM/12	12 Vdc	2"	(DN50)
BEV-980RMF/12	12 Vdc	2" 1/2	(DN65)
BEV-990RMF/12	12 Vdc	3"	(DN80)
BEV-995RMF/12	12 Vdc	4"	(DN100)
BEV-920RM/24	24 Vdc	1/2"	(DN15)
BEV-930RM/24	24 Vdc	3/4"	(DN20)
BEV-940RM/24	24 Vdc	1"	(DN25)
BEV-950RM/24	24 Vdc	1" 1/4	(DN32)
BEV-960RM/24	24 Vdc	1" 1/2	(DN40)
BEV-970RM/24	24 Vdc	2"	(DN50)
BEV-980RMF/24	24 Vdc	2" 1/2	(DN65)
BEV-990RMF/24	24 Vdc	3"	(DN80)
BEV-995RMF/24	24 Vdc	4"	(DN100)
BEV-920RM	230 Vac	1/2"	(DN15)
BEV-930RM	230 Vac	3/4"	(DN20)
BEV-940RM	230 Vac	1"	(DN25)
BEV-950RM	230 Vac	1" 1/4	(DN32)
BEV-960RM	230 Vac	1" 1/2	(DN40)
BEV-970RM	230 Vac	2"	(DN50)
BEV-980RMF	230 Vac	2" 1/2	(DN65)
BEV-990RMF	230 Vac	3"	(DN80)
BEV-995RMF	230 Vac	4"	(DN100)



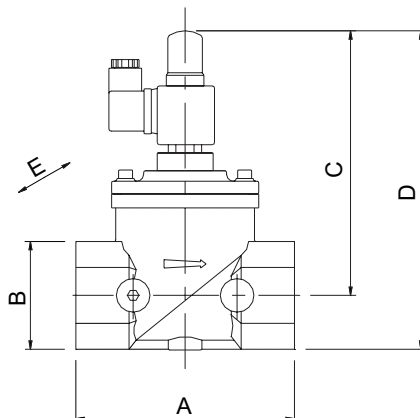
[www.beltdetection.com](http://www.beltdetection.com)

E-mail: [info@beltdetection.com](mailto:info@beltdetection.com)

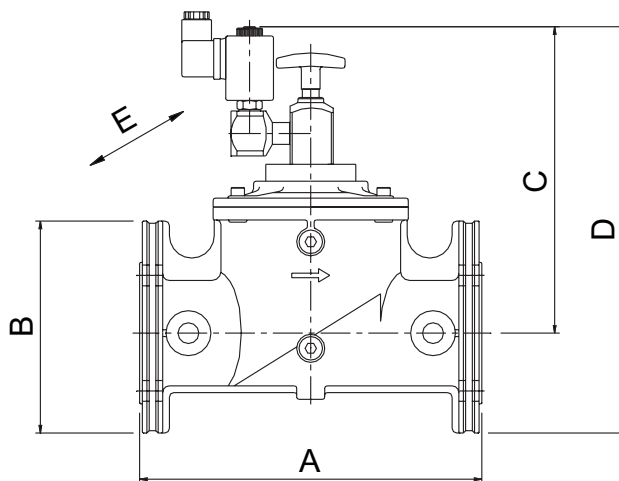
# 600RM / 900RM

## MANUAL LEVER-RELOADING ELECTRO VALVES

Table 1 - Dimensions and weight



Model 600	Diameter	Dimensions (mm)					Weight
		A	B	C	D	E	
620RM	1/2" (DN15)	77	32	130	148	70	0,6 Kg
630RM	3/4" (DN20)	96	46	138	165	85	0,8 Kg
640RM	1" (DN25)	96	46	138	165	85	0,8 Kg
650RM	1" 1/4 (DN32)	153	55	162	195	120	1,6 Kg
660RM	1" 1/2 (DN40)	153	55	162	195	120	1,6 Kg
670RM	2" (DN50)	156	77	167	205	106	1,9 Kg
680RMF	2" 1/2 (DN65)	305	190	260	350	200	8,2 Kg
690RMF	3" (DN80)	305	190	260	350	200	8,2 Kg
695RMF	4" (DN100)	350	220	295	435	252	16 Kg



Model 900	Diameter	Dimensions (mm)					Weight
		A	B	C	D	E	
920RM	1/2" (DN15)	77	32	148	164	70	0,9 Kg
930RM	3/4" (DN20)	96	46	158	180	85	1,1 Kg
940RM	1" (DN25)	96	46	158	180	85	1,1 Kg
950RM	1" 1/4 (DN32)	153	65	188	200	120	2,0 Kg
960RM	1" 1/2 (DN40)	153	65	158	200	120	2,0 Kg
970RM	2" (DN50)	156	77	192	230	106	2,3 Kg
980RMF	2" 1/2 (DN65)	305	190	250	340	200	7,6 Kg
990RMF	3" (DN80)	305	190	250	340	200	7,6 Kg
995RMF	4" (DN100)	350	220	270	405	252	17 Kg

# 400RM / 500RM

## MANUAL LEVER-RELOADING ELECTRO VALVES

Table 2 - Load losses

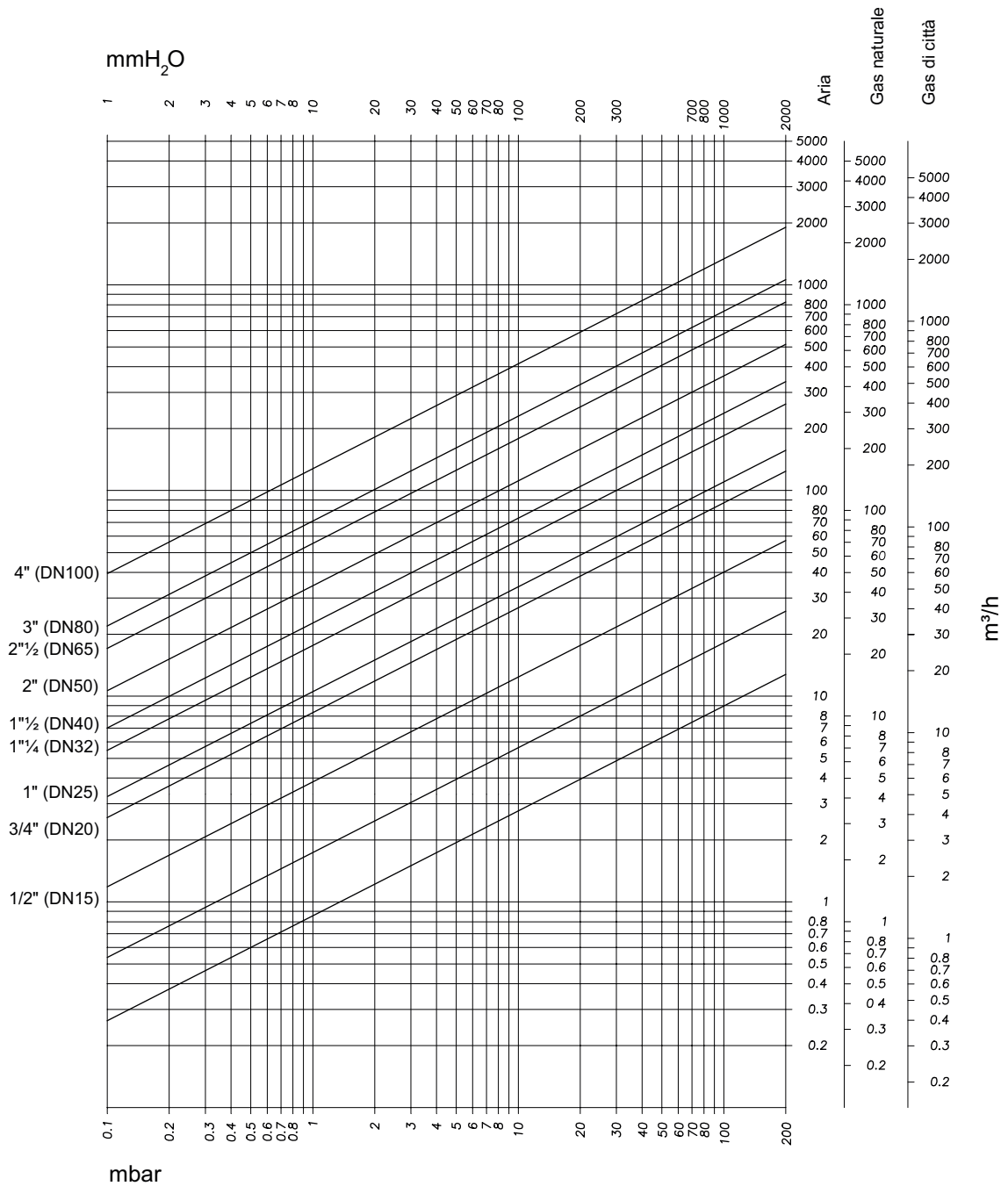


Table 3 - Conversion formula carried from air to other gases

Gas type	Specific weight (Kg/m <sup>3</sup> )	K
Natural gas	0,80	1,25
City gas	0,57	1,48
Liquid gas	2,08	0,77
Air	1,25	1,00

+15° C, 1013 mbar, secco

$$V_{\text{ARIA}} = \frac{V_{\text{GAS DA UTILIZZARE}}}{K}$$

$$K = \sqrt{\frac{\text{PESO SPECIFICO ARIA}}{\text{PESO SPECIFICO GAS}}}$$

**MANUAL  
LEVER-RELOADING  
ELECTRO VALVES**

<b>POWER</b>	
Input power:	600RM - 900RM: 230 Vac 50/60 Hz (-15% / +10%) 600RM/24 - 900RM/24: 24 Vdc (-15% / +10%) 600RM/12 - 900RM/12: 12 Vdc (-15% / +10%) 600RMF - 900RMF: 230 Vac 50/60 Hz (-15% / +10%) 600RMF/24 - 900RMF/24: 24 Vdc (-15% / +10%) 600RMF/12 - 900RMF/12: 12 Vdc (-15% / +10%)
Average power consumption:	16 W (600RM - 600RM/24 - 600RM/12) 19 W (600RMF - 600RMF/24 - 600RMF/12) 12 W (900RM - 900RM/24 - 900RM/12) 25 W* (900RMF - 900RMF/24 - 900RMF/12)  * 45 W for diameter 4" (DIN 100)
<b>ENVIRONMENTAL</b>	
Operating temperature:	-15 / +60°C
Enclosure rating:	IP65
<b>MECHANICAL</b>	
Type:	600RM: Normally open (Class A, Group 2) 900RM: Normally closed (Class A, Group 2)
Material:	Aluminium
Dimensions and weight:	see Table 1
Connections:	600RM - 900RM: f/f Gas threaded - ISO 228/1 600RMF - 900RMF: Flanged PN16 - ISO 7005
Cable gland:	PG09 (with connector DIN 43650)
Coil insulation:	Class H (180° C)
Closing time:	< 1 second
Reloading:	Manual, lever
Max working pressure:	500 mbar
Portata:	see table 2 (load losses)
<b>APPROVALS</b>	
	EN 161 Gas directive (90/396/EEC) Low voltage directive (72/23/EEC) Electromagnetic Compatibility Directive (89/336/EEC)
<b>WARRANTY</b>	
	Two (2) years



BELT DETECTION S.r.l.  
Strada del Fornacino, 108/b  
10040 Leini (TO) - Italia

Tel. (+39) 011.9966033  
Fax (+39) 011.5262731  
info@belt-detection.com  
www.belt-detection.com



This data sheet replaces previous ones.

The manufacturer can change without prior notice product specifications and details.

Descriptions and illustrations are shown only in order to aid the customer.

All data herewith enclosed is the copyright protected.