

400RM / 500RM

brass core

MANUAL LEVER-RELOADING ELECTRO VALVES



All electro valves of the 400RM series (normally open) and 500RM series (normally closed) feature a brass core and a manual lever reloading system.

The 400RM series is particularly suitable for home use where, typically, there is no power backup line: In case of black-out or temporary loss of mains power, 400RM electro valves do not cut off the line, thus ensuring a regular supply of gas to the house.

All electro valves are manufactured according to the existing European Standard EN161, where applicable.

All models are compliant with European Directives 89/336 and 73/23.

AVAILABLE VERSIONS

Normally open

BEV-420RM/12	12 Vdc	1/2"	(DN15)
BEV-430RM/12	12 Vdc	3/4"	(DN20)
BEV-440RM/12	12 Vdc	1"	(DN25)

BEV-420RM/24	24 Vdc	1/2"	(DN15)
BEV-430RM/24	24 Vdc	3/4"	(DN20)
BEV-440RM/24	24 Vdc	1"	(DN25)

BEV-420RM	230 Vac	1/2"	(DN15)
BEV-430RM	230 Vac	3/4"	(DN20)
BEV-440RM	230 Vac	1"	(DN25)

Normally closed

BEV-520RM/12	12 Vdc	1/2"	(DN15)
BEV-530RM/12	12 Vdc	3/4"	(DN20)
BEV-540RM/12	12 Vdc	1"	(DN25)

BEV-520RM/24	24 Vdc	1/2"	(DN15)
BEV-530RM/24	24 Vdc	3/4"	(DN20)
BEV-540RM/24	24 Vdc	1"	(DN25)

BEV-520RM	230 Vac	1/2"	(DN15)
BEV-530RM	230 Vac	3/4"	(DN20)
BEV-540RM	230 Vac	1"	(DN25)

Features

- ▲ Low cost
- ▲ Maximum working pressure 500 mbar
- ▲ Ideal for air and non-aggressive gas (family 1, 2 and 3)
- ▲ Class H coil (180°C)
- ▲ All valves are 100% tested with computer test stations



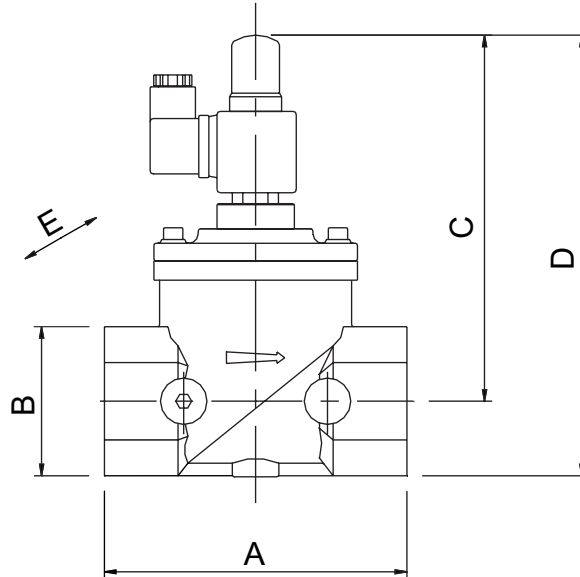
www.beltdetection.com

E-mail: info@beltdetection.com

400RM / 500RM

MANUAL LEVER-RELOADING ELECTRO VALVES

Table 1 - Dimensions and weight



Model	Diameter	Dimensions (mm)					Weight
		A	B	C	D	E	
420RM / 520RM	1/2" (DN15)	58	30	115	130	30	400 gr
430RM / 530RM	3/4" (DN20)	55	35	113	130	35	600 gr
440RM / 540RM	1" (DN25)	62	45	115	137	40	700 gr

400RM / 500RM

MANUAL LEVER-RELOADING ELECTRO VALVES

Table 2 - Load losses

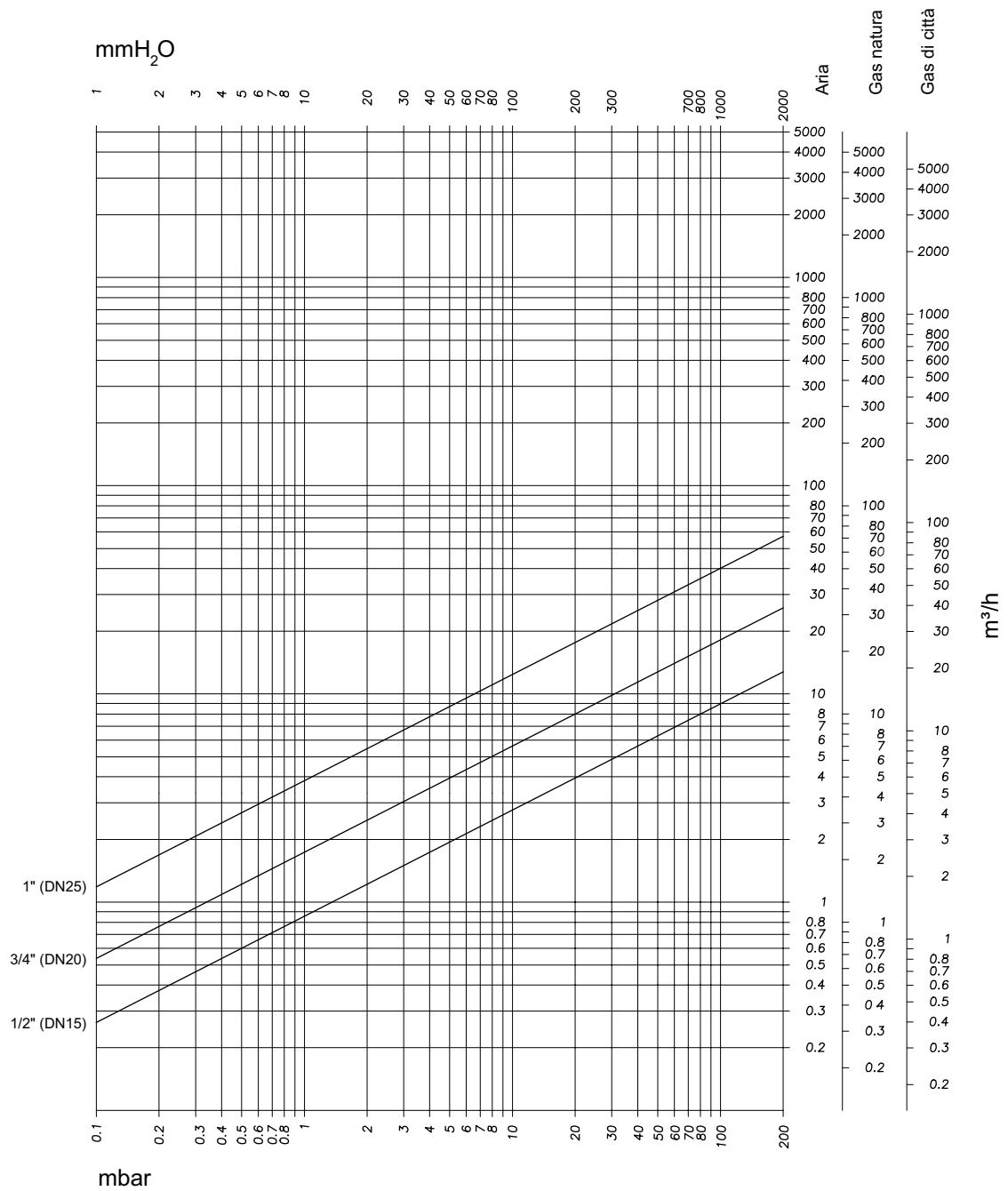


Table 3 - Conversion formula carried from air to other gases

Gas type	Specific weight (Kg/m³)	K
Natural gas	0,80	1,25
City gas	0,57	1,48
Liquid gas	2,08	0,77
Air	1,25	1,00

+15° C, 1013 mbar, secco

$$V_{\text{ARIA}} = \frac{V_{\text{GAS DA UTILIZZARE}}}{K}$$

$$K = \sqrt{\frac{\text{PESO SPECIFICO ARIA}}{\text{PESO SPECIFICO GAS}}}$$

MANUAL LEVER-RELOADING ELECTRO VALVES

POWER	
Input power:	400RM: 230 Vac 50/60 Hz (-15% / +10%) 400RM/24: 24 Vdc (-15% / +10%) 400RM/12: 12 Vdc (-15% / +10%) 500RM: 230 Vac 50/60 Hz (-15% / +10%) 500RM/24: 24 Vdc (-15% / +10%) 500RM/12: 12 Vdc (-15% / +10%)
Average power consumption:	16 W (400RM - 400RM/24 - 400RM/12) 8 W (500RM) 12 W (500RM/24 - 500RM/12)
ENVIRONMENTAL	
Operating temperature:	-15 / +60°C
Enclosure rating:	IP65
MECHANICAL	
Type:	400RM: Normally open (Class A, Group 2) 500RM: Normally closed (Class A, Group 2)
Material:	Brass
Dimensions and weight:	see Table 1
Connections:	f/f Gas threaded - ISO 228/1
Cable gland:	PG09 (with connector DIN 43650)
Coil insulation:	Class H (180° C)
Closing time:	< 1 second
Reloading:	Manual, lever
Max working pressure:	500 mbar
Portata:	see table 2 (load losses)
APPROVALS	
	EN 161 Gas directive (90/396/EEC) Low voltage directive (72/23/EEC) Electromagnetic Compatibility Directive (89/336/EEC)
WARRANTY	
	Two (2) years



BELT DETECTION S.r.l.
Strada del Fornacino, 108/b
10040 Leini (TO) - Italia

Tel. (+39) 011.9966033
Fax (+39) 011.5262731
info@belt-detection.com
www.belt-detection.com



This data sheet replaces previous ones.

The manufacturer can change without prior notice product specifications and details.

Descriptions and illustrations are shown only in order to aid the customer.

All data herewith enclosed is the copyright protected.